

# 7560 series Flanged base enclosures

No design charges - No tooling

Simply provide your internal dimensions for a free quotation

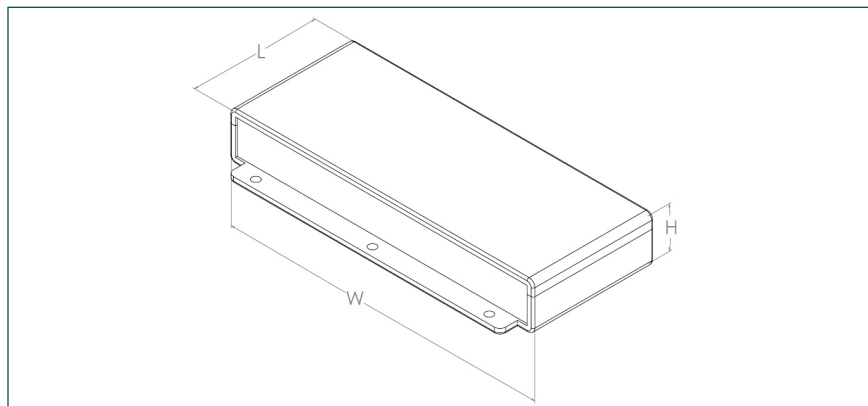
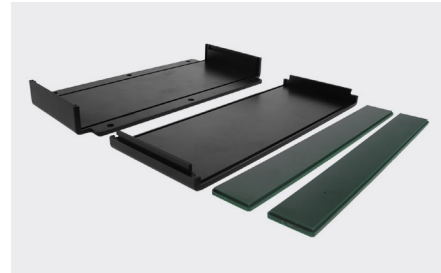
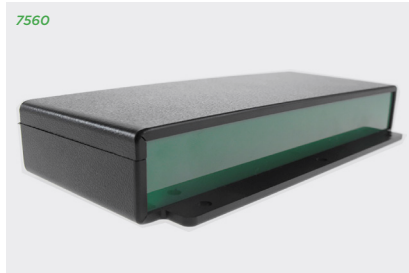
Flanged base enclosures manufactured in **custom** sizes to fit your PCB assembly and components.

## Features

- Flanged base snap-together construction
- Four part side panel design
- Manufactured to your custom specifications
- Various material colour and specification options
- Manufactured to order on short lead-times

## Options

- Manufactured in either HIPS UL94-HB, ABS acrylic capped or listed ABS UL94-V0
- CNC milling (holes, cut-outs, vents, pockets, pillars, windows)
- Screen printing/membranes/overlays



PART NO.	LENGTH (INT)	WIDTH (INT)	HEIGHT (INT)	LENGTH (EXT)	WIDTH (EXT)	HEIGHT (EXT)
7561	54mm	150mm	18mm	60mm	156mm	24mm
7562	94mm	54mm	26mm	100mm	60mm	32mm
7563	128mm	102mm	32mm	134mm	108mm	38mm
7564	192mm	122mm	64mm	198mm	128mm	70mm
7565	212mm	134mm	25mm	218mm	142mm	31mm
Custom size	Please advise dimensions					

Available in a range of colours:



## KEY FEATURES

Snap together case | Four piece construction | Flanged base

